

## Master-14XE.xx

110 Watt, non isolated, single output buck converter  
All parameters defined on  $T_a=25^{\circ}\text{C}$ ,  $I_{oNom} = 8,0\text{ ADC}$  and  $U_{iNom} = 16\text{VDC}$

### ABSOLUTE MAXIMUM RATINGS

parameter	unit	typ
Input peak voltage	VDC	170.00

### THERMAL CHARACTERISTICS

parameter	min to max	typ
Ambient temperature range	$-40^{\circ}\text{C} / +85^{\circ}\text{C}$	

### COMMUNICATION INTERFACE

parameter	unit	fulfilled	min to max
Option shut down (left open for operation)		✓	

### SPECIALS

parameter	unit	conditions	typ
Efficiency at medium loads	%	$0.5I_{oNom}$	92.00
Efficiency at full loads	%	$I_{oNom}$	91.00

All technical and general information is provided in all conscience. However, completeness and accuracy cannot be guaranteed. Demke recommends to fully test the product in its determined application. Due to permanent improvements to our products, we reserve the right to change specifications at any time and without prior notification and without obligation to update products already supplied. This is a component for professional equipment manufacturers. Read the safety and installation instruction for proper use. Safety aspect and EMC-aspect must be considered in the end application.

## Master-14XE.xx

110 Watt, non isolated, single output buck converter

### INPUT

parameter	unit	conditions	min	typ	max
Input voltage range	VDC	IoNom	16	16	160

### OUTPUT

parameter	unit	conditions	min	typ	max
Output voltage	VDC	IoNom		13.8	
Minimum required load to obtain the specified output voltage	%	UiNom		0	
Rated output power	W			110	

All technical and general information is provided in all conscience. However, completeness and accuracy cannot be guaranteed. Demke recommends to fully test the product in its determined application. Due to permanent improvements to our products, we reserve the right to change specifications at any time and without prior notification and without obligation to update products already supplied. This is a component for professional equipment manufacturers. Read the safety and installation instruction for proper use. Safety aspect and EMC-aspect must be considered in the end application.

## Master-14XE.xx

110 Watt, non isolated, single output buck converter

### MECHANICAL parameter

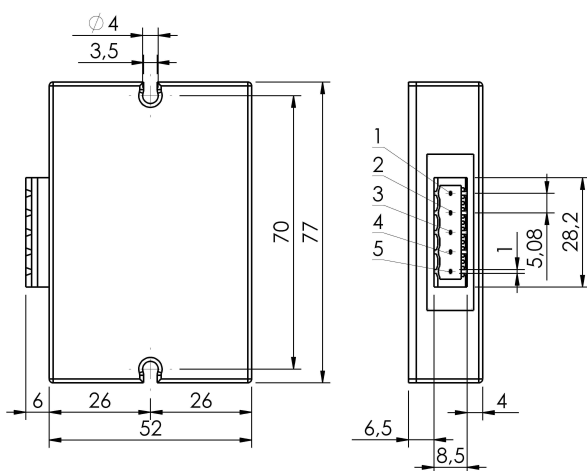
parameter	unit	
Overall dimensions	mm	90x90x26
Weight	g	335

### Mechanical dimensions and Pin configuration

All dimensions in mm

Connector type:

Case: FMC 77x52x19



All technical and general information is provided in all conscience. However, completeness and accuracy cannot be guaranteed. Demke recommends to fully test the product in its determined application. Due to permanent improvements to our products, we reserve the right to change specifications at any time and without prior notification and without obligation to update products already supplied. This is a component for professional equipment manufacturers. Read the safety and installation instruction for proper use. Safety aspect and EMC-aspect must be considered in the end application.